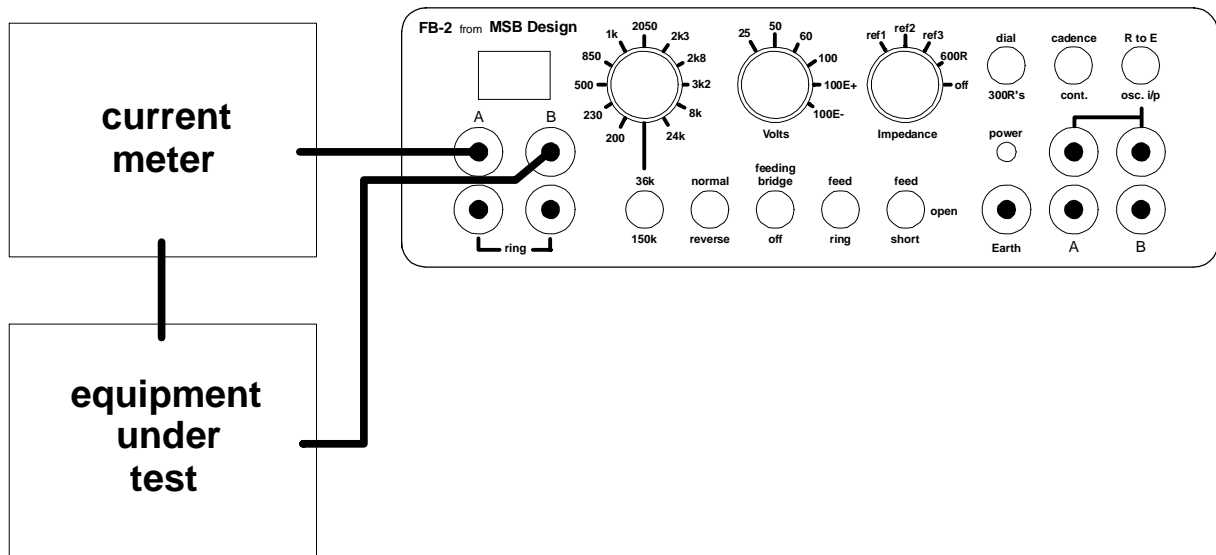


TBR21 A.4.9 Transition from loop to quiescent state



Settings :-

Feed resistance	= 2050 ohms	Voltage	= 50v
Impedance	= off	Dial / 300R's	= off
Dial cadence	= X	R to E / osc i/p	= X
Feed / open / short	= feed	Normal / reverse	= X
Ring / feed	= feed	Feeding Bridge	= off

X means "don't care"

The apparatus under test (AUT) is plugged into the FB-2, and the controls are set as shown.

Measure the feed current as required.