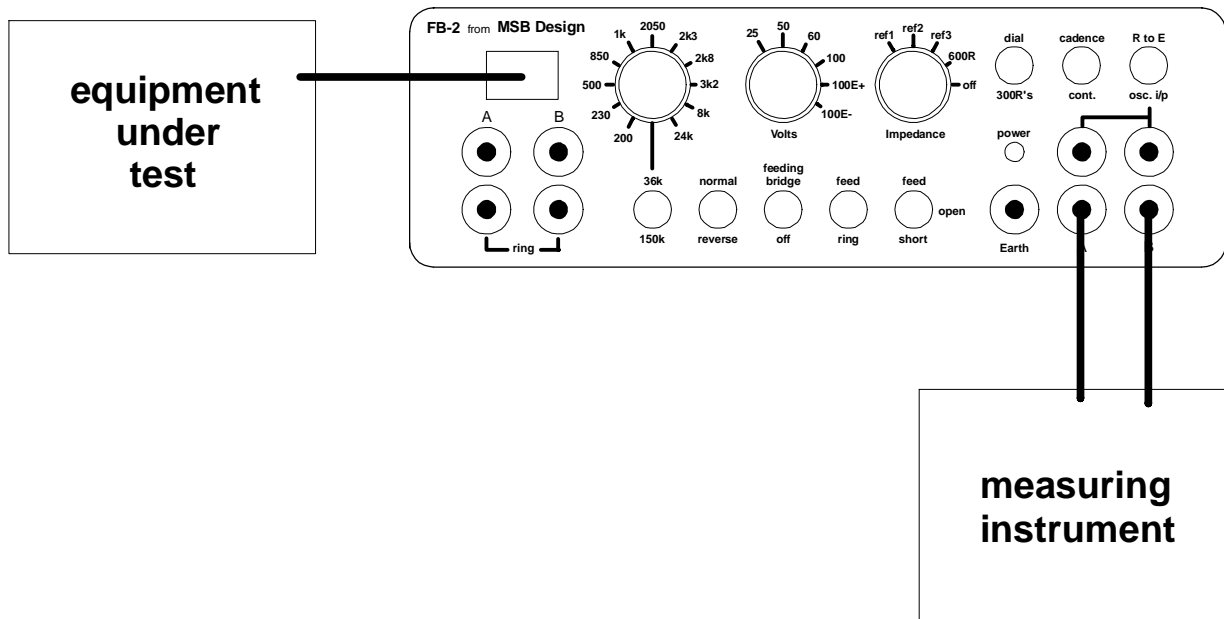


## TBR21 A.4.8.3 Automatically repeated call attempts



Settings :-

Feed resistance	= 850 ohms	Voltage	= 50
Impedance	= Ref1	Dial / 300R's	= off
Dial cadence	= X	R to E / osc i/p	= X
Feed / open / short	= feed	Normal / reverse	= X
Ring / feed	= feed	Feeding Bridge	= on

X means "don't care"

The apparatus under test ( AUT ) is plugged into the FB-2, and the controls are set as shown.

Measure the duration between quiescent and next automatic call attempt.