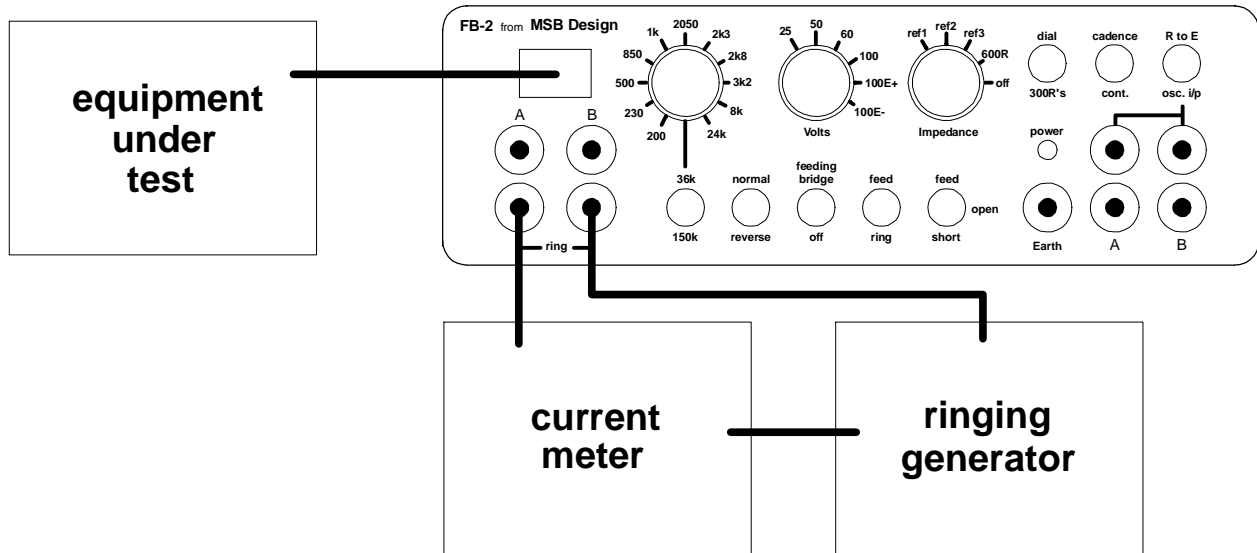


TBR21 A.4.4.2.3 DC current



Settings :-

Feed resistance = 850
 Impedance = off
 Dial cadence = X
 Feed / open / short = X
 Ring / feed = ring

Voltage = X
 Dial / 300R's = off
 R to E / osc i/p = X
 Normal / reverse = X
 Feeding Bridge = off

X means "don't care"

The apparatus under test (AUT) is plugged into the FB-2, and the controls are set as shown.

The ringing should be dc backed by 60v.

Measure the dc current as required.