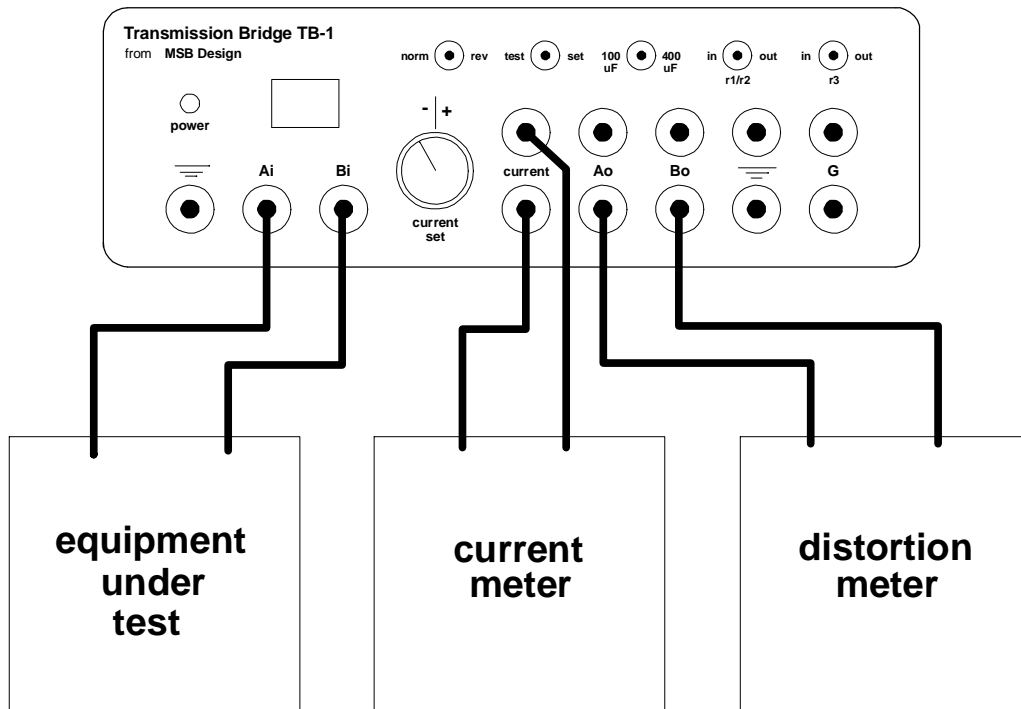


## BS6317 Test B.9.1 Clipping test 1



Settings :-

set the TB-1 feed to 25 mA

switch R1/R2 in circuit, R3 out

select 400uF capacitors

Temporarily replace the distortion meter with a volt meter, and set the level of the tone into the artificial mouth such that the voltage is as specified in the test definition. Reconnect the distortion meter and measure the third harmonic distortion.