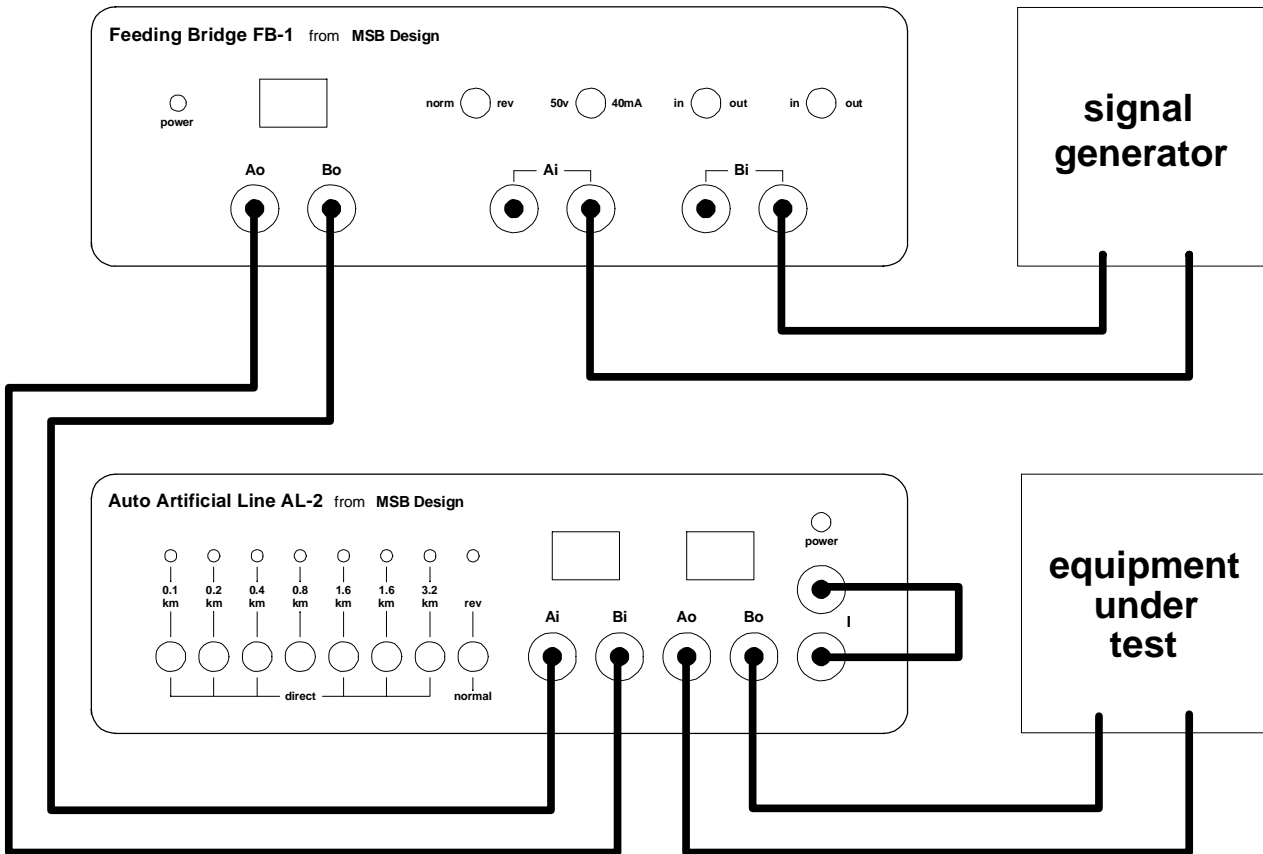


BS6317 Test B.2 Receiving sensitivity test



Settings :-

- set the FB-1 feed to 50 volts
- switch Rs in circuit and Rp out
- select AL-2 line lengths as needed

Measure the sound pressure at various line lengths, as specified in the test definition.

The Artificial Line AL-1 is equally suitable for this application.

Note that the 600 ohm resistor Rs is switched in assuming that the output impedance of the signal generator is very much smaller. If this is not the case, then switch Rs out of circuit and insert a resistor between the generator and the FB-1 of such value that the total resistance of that resistor and the output of the generator is 600 ohms.