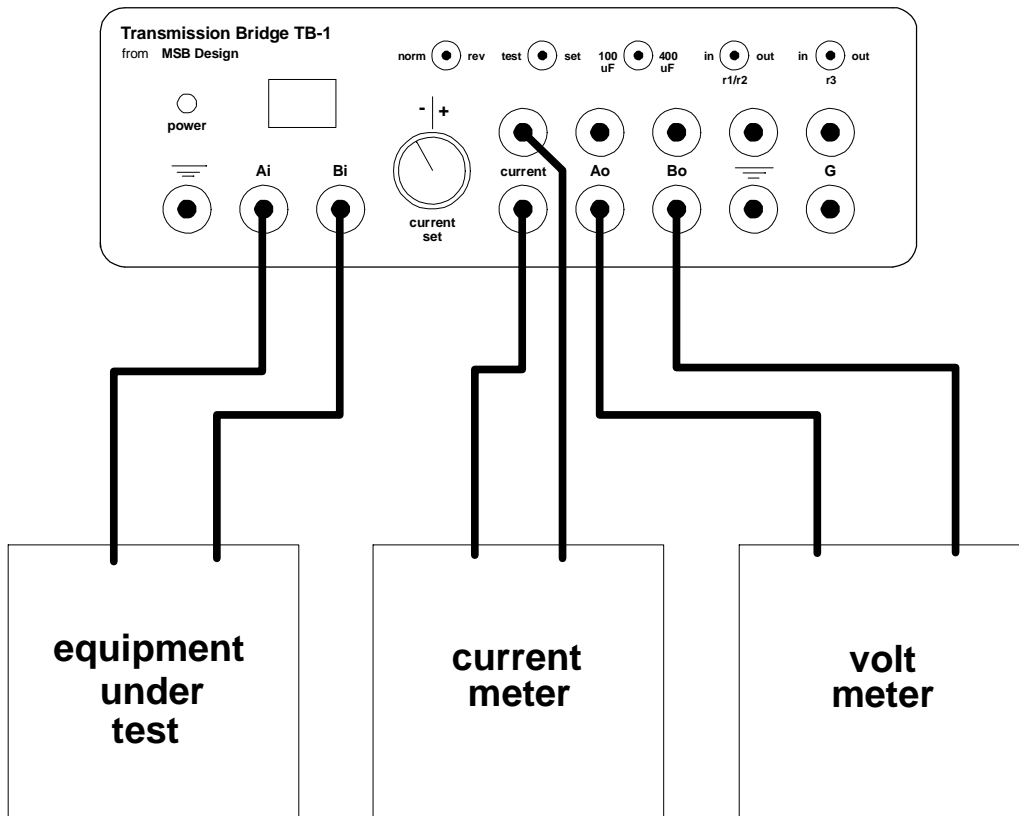


BS6317 Test B.13 Test for limits of signals sent to line



Settings :-

set the TB-1 feed to the values specified in the test

switch all resistors out of circuit

select 400uF capacitors

Apply test signals to the artificial mouth.

Measure the voltage at various feed currents, as specified in the test definition.