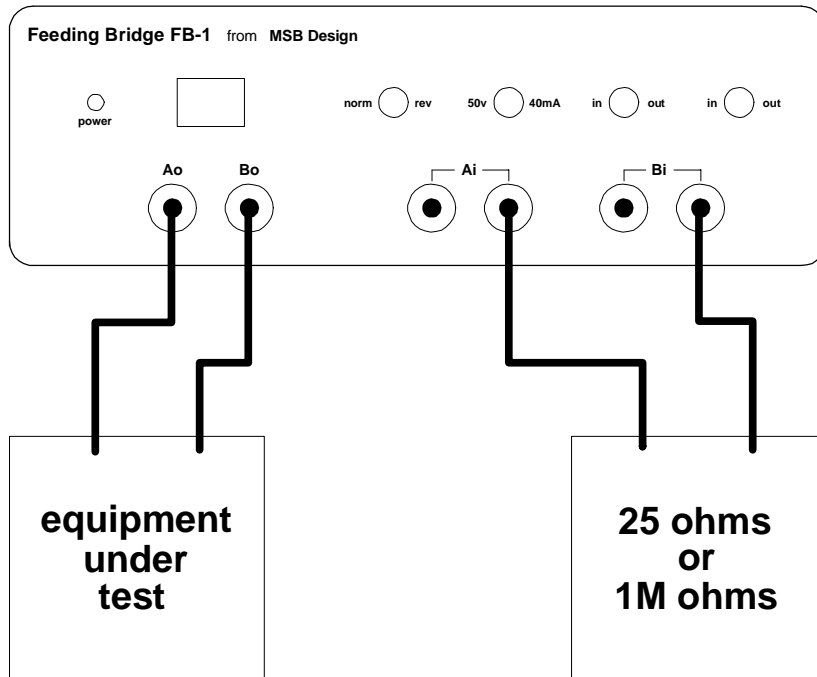


## BS6317 Test B.12.2 Acoustic shock test 2



### Settings :-

set the FB-1 feed to 50v

switch all resistors out of circuit

Apply various signals to the artificial mouth and measure the sound pressures at the artificial ear, as specified in the test definition.