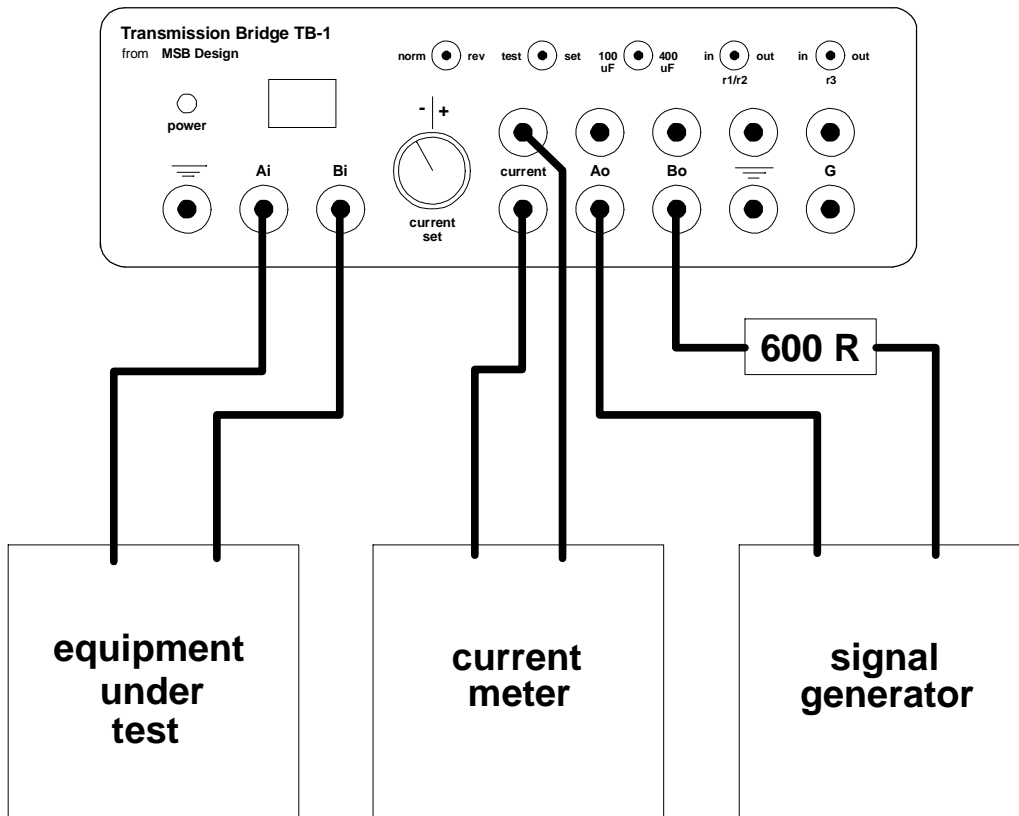


BS6317 Test B.12.1 Acoustic shock test 1



Settings :-

set the TB-1 feed to 40 mA

switch all resistors out of circuit

select 400uF capacitors

Connect the signal generator via a resistor to the TB1 terminals.

The resistor should be of a value such that the total of this and the generator output impedance shall be 600 ohms.

Measure the sound pressure at the artificial ear.