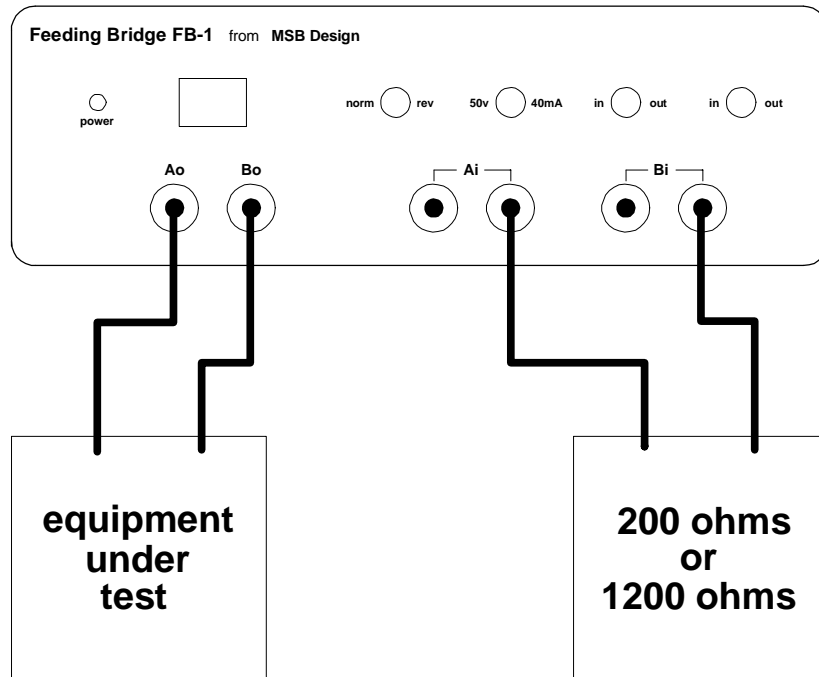


BS6317 Test B.11 Instability test



Settings :-

set the FB-1 feed to 40mA or 50v as specified
switch all resistors out of circuit

Check for audible instability with both 40mA and 50v feeds.