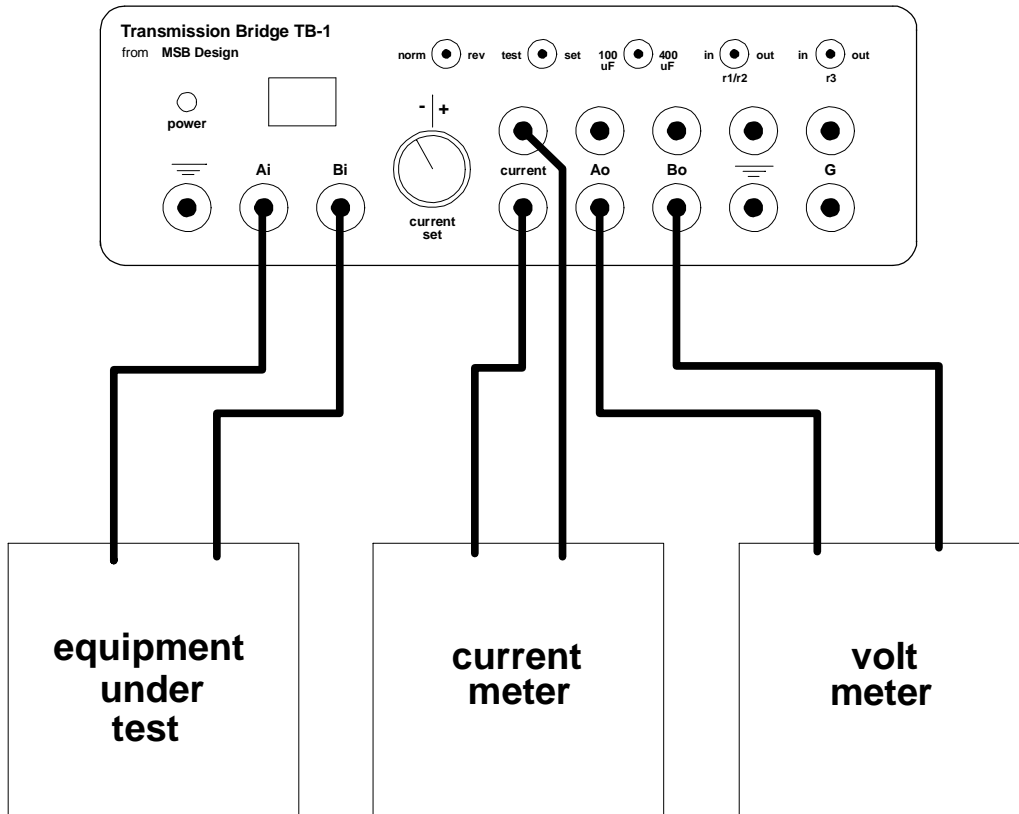


## BS6317 Test B.10 Noise test



### Settings :-

- set the TB-1 feed to the values specified
- switch R1/R2 in circuit as required
- select 400uF capacitors

Measure the noise across the measurement terminals at several feed currents, as specified in the test definition.

Next do the same in the artificial ear.

Switch R1/R2 out of circuit and connect a white noise source across the measurement terminals.