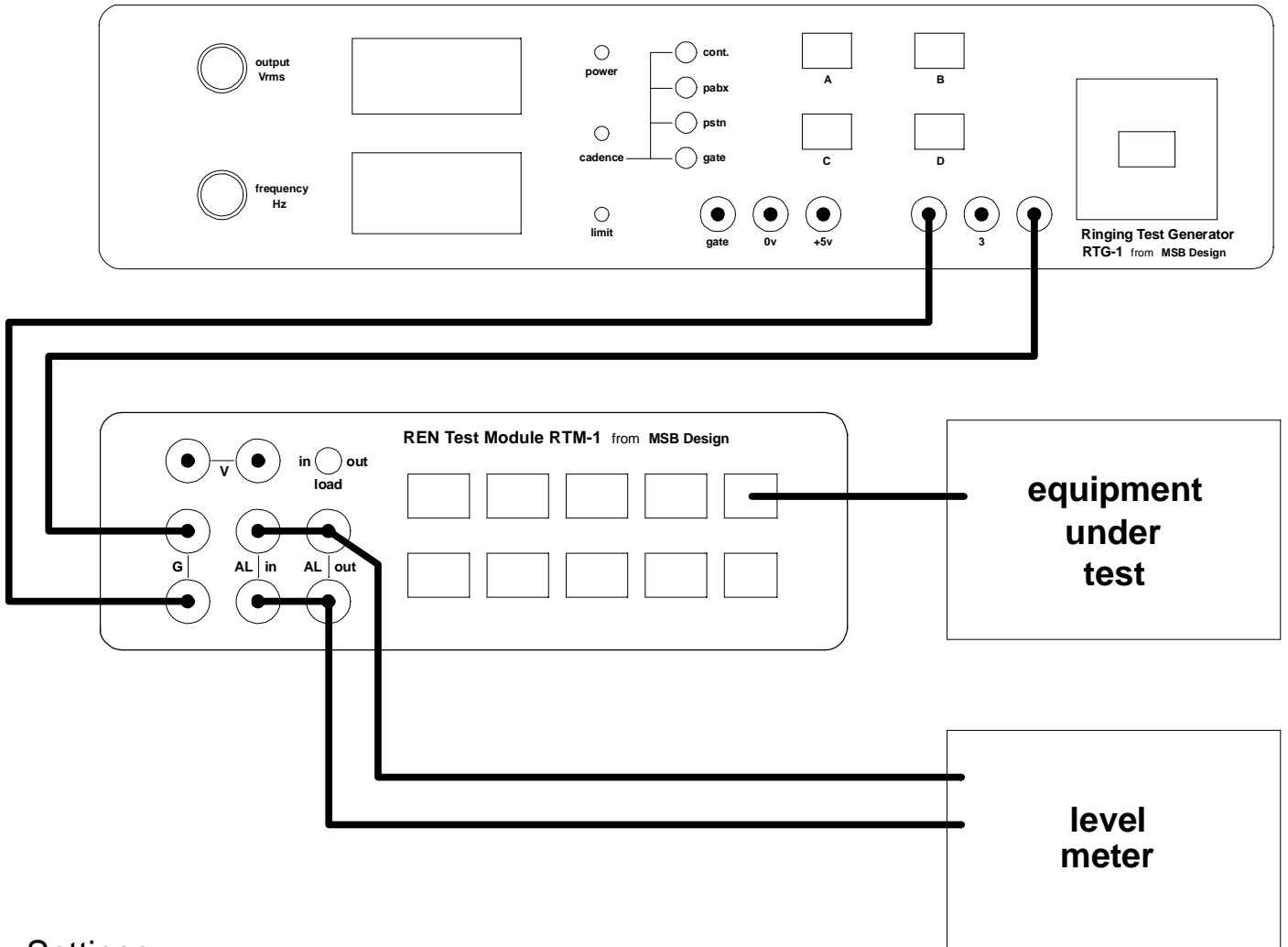


BS6305 Test A.9 Test for restriction of ringing signals sent to line



Settings :-

RTM-1 switch the dummy load OUT

RTG-1 set to 25Hz, 70v, PSTN

The apparatus under test is plugged into any one of the sockets on the REN Test Module RTM-1. The Ringing Test Generator RTG-1 is connected to the 'G' terminals of the RTM-1.

Set the RTG-1 to a frequency of 25Hz, output of 70V rms, and PSTN cadence.