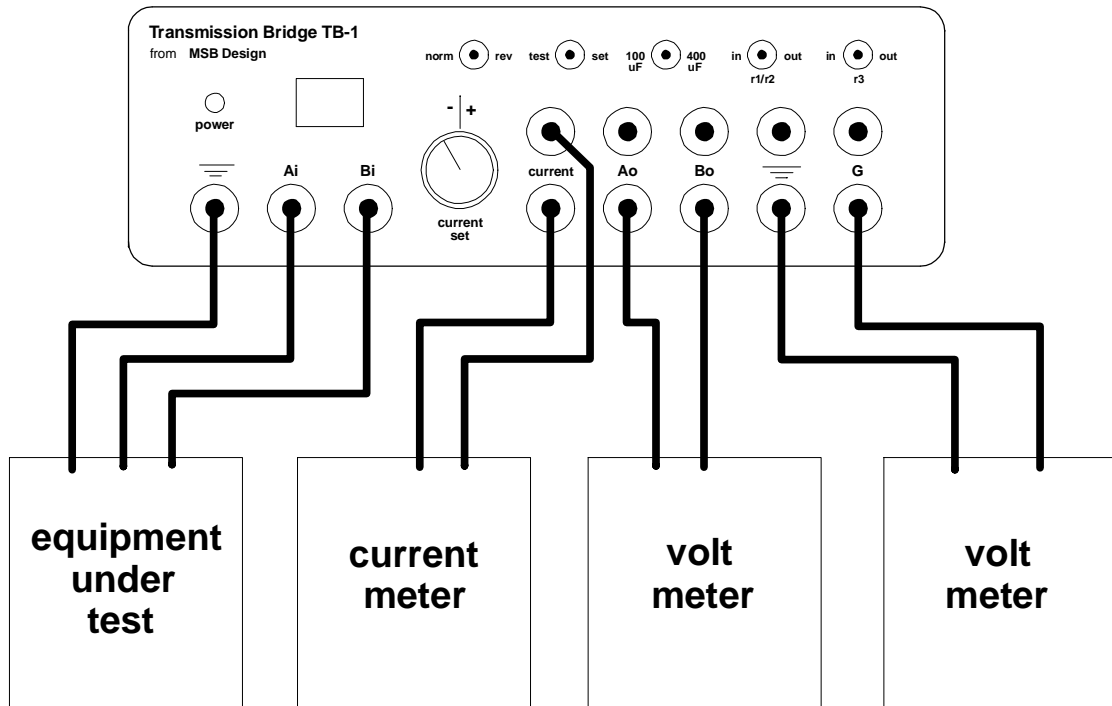


BS6305 Test A.7 Signal balance about earth



Settings :-

switch R1/R2 and R3 in circuit.

set the feed to variable current (the 'set' position)

select '100uF' capacitors

use the current control knob to select a current suitable for the test

Measure the voltages across the measurement terminals, and across the resistor R3, with the feed current set to various values, as specified in the test definition. Calculate the signal balance from these values.