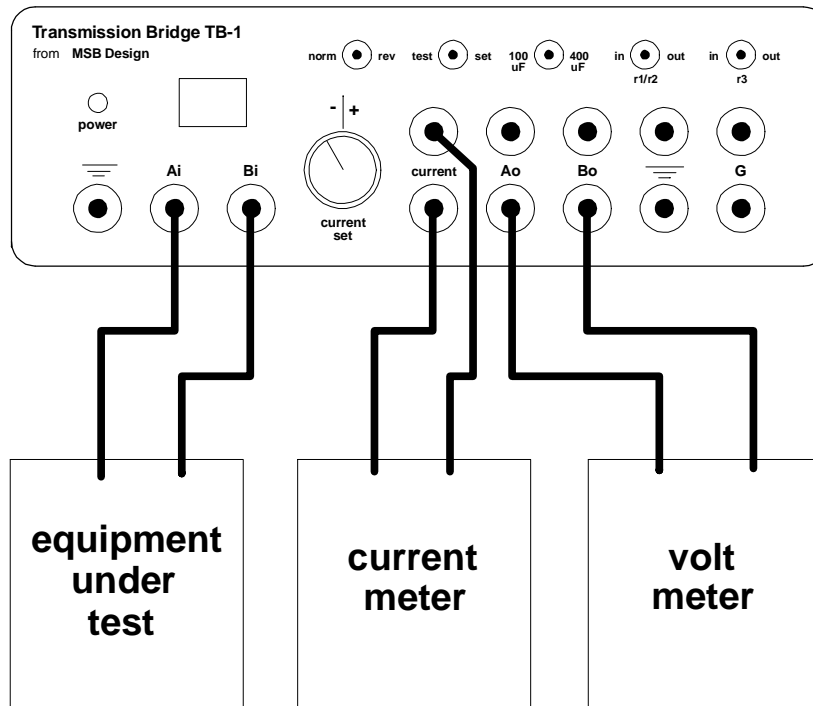


BS6305 Test A.6 Power level determination



Settings :-

switch all resistors out of circuit.

set the feed to variable current (the 'set' position)

select '400uF' capacitors

use the current control knob to select the currents for the tests

Measure the voltage at several current settings, as specified in the test definition.
Calculate the power level as instructed.