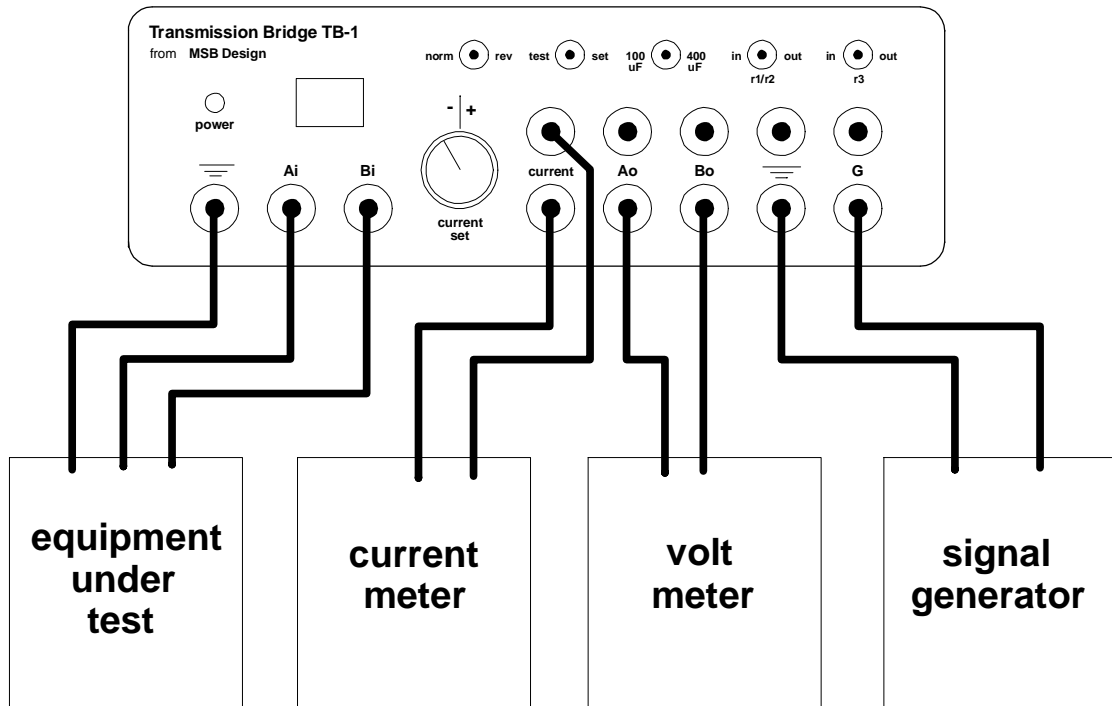


BS6305 Test A.5 Impedance balance about earth



Settings :-

switch R1/R2 in circuit.

set the feed to variable current (the 'set' position)

select '100uF' capacitors

use the current control knob to select the currents for the tests

Measure the voltage at several current settings.

Using these voltage measurements and the known voltage of the signal from the generator, the impedance balance can be calculated.