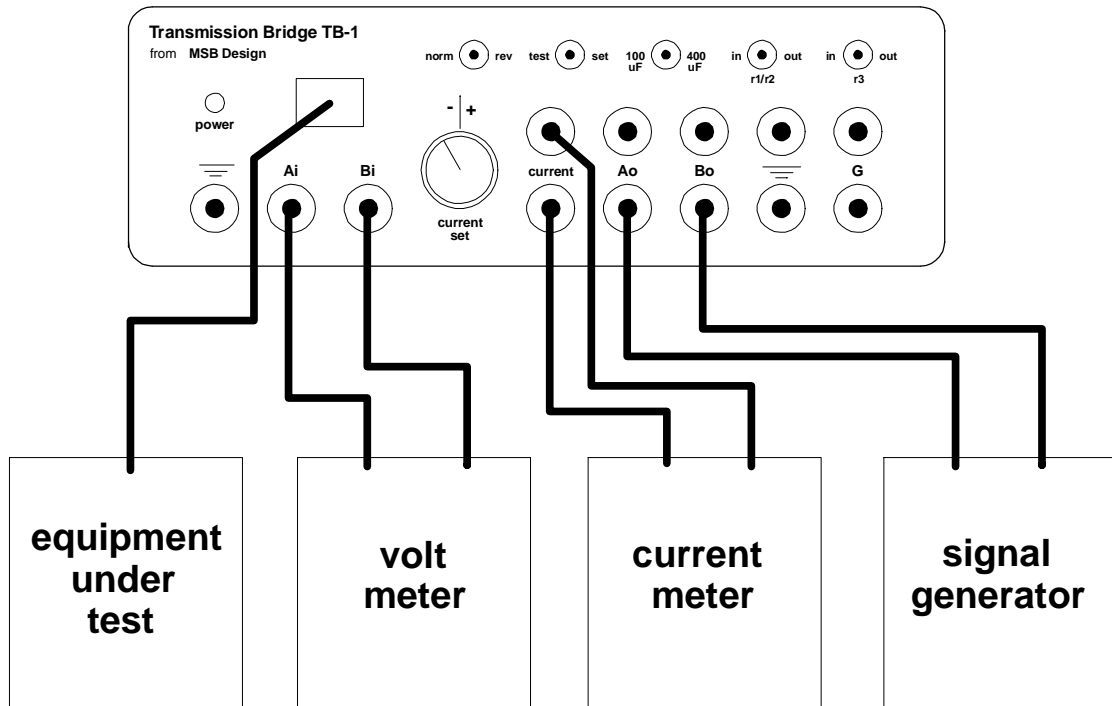


**BS6305 Test A.4 Determination of return loss**



**Settings :-**

switch all resistors out of circuit.

set the feed to variable current ( the 'set' position )

select '400uF' capacitors

use the current control knob to select the currents for the tests

Take impedance measurements at various current settings, for a range of signal generator frequencies, as specified in the test definition.

The impedance is calculated from the voltage and current measured at the equipment under test connection.