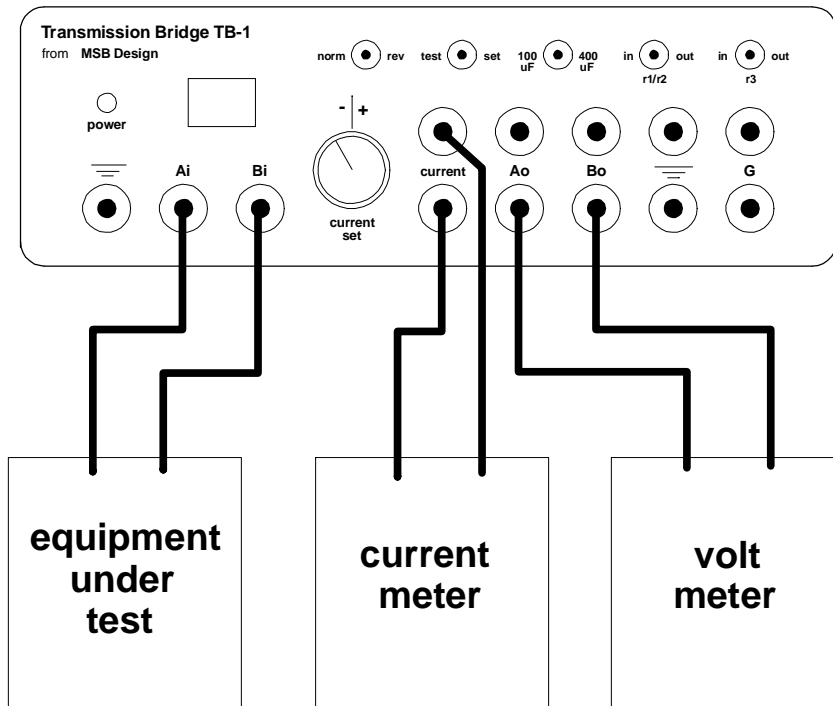


## BS6305 Test A.10 Spectral voltage level signal and timing determination



Settings :-

switch R2/R3 in circuit as appropriate

set the feed to variable current ( the 'set' position )

select '400uF' capacitors

use the current control knob to select the currents for the tests

Measure the voltage at the test terminals at various DTMF frequencies, for several feed current values, as specified in the test definition.

The measurement terminals should be terminated either by switching in the two 300 ohm series resistors R1/R2, or by a reference impedance connected to the terminals, as appropriate for the particular test.