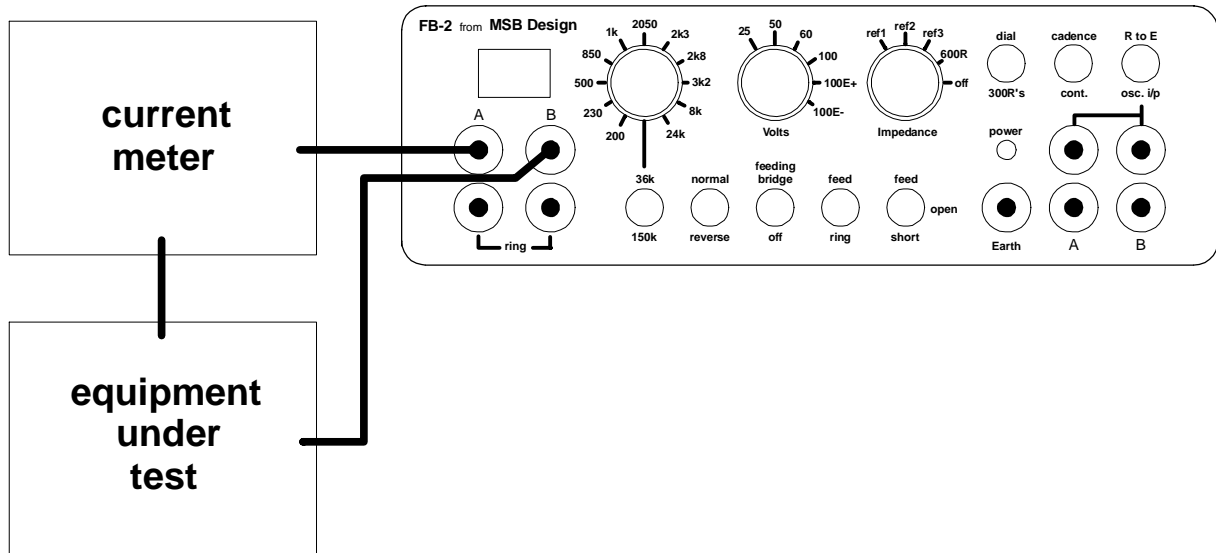


TBR21 A.4.4.2.2 Transient response



Settings :-

Feed resistance	= 200 ohms	Voltage	= 60
Impedance	= off	Dial / 300R's	= off
Dial cadence	= X	R to E / osc i/p	= X
Feed / open / short	= as needed	Normal / reverse	= X
Ring / feed	= feed	Feeding Bridge	= off

X means "don't care"

The apparatus under test (AUT) is plugged into the FB-2, and the controls are set as shown.

Measure the transient current as required.